

Y Key Exchange Box



The Y key exchange box is a product designed to enable the release of keys by insertion of an initial key. The Y box is designed for the release of six or more keys, with the keys being released in any order once the isolation (end key) has been inserted. The need for this type of product usually arises due to there being more keys required than the initial isolation system supplies. The unit will generally be the link between the isolation locks and the access products. The Y box is supplied in an enclosure suitable for surface mounting.

OPERATION

Castell Key Exchange Boxes are used in various applications to control multi-door access to hazardous areas.

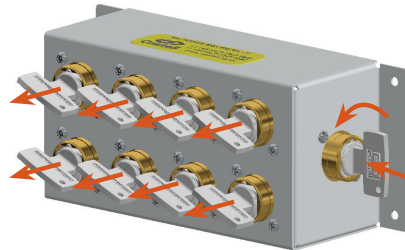
Y key exchange box, horizontal mount (1 key free - 8 keys trapped)

- 1** End key is free, front keys are trapped



While the end key is free which is usually used in a power isolation, all (8) front keys are trapped.

- 2** Insert and turn end key, then turn and release front keys in any order



By inserting and turning the free end key in the Y key exchange box, you can release the trapped front keys in any order. Once the first key has been removed, the end key stays trapped. The released keys can be used in the access door locks to gain access to the hazardous area.

- 3** End key is trapped, front keys are free



The end key stays trapped until all released keys are replaced and turned to their original position.

The Y key exchange box is available with different numbers of front keys and also in a vertical mounting version.

USAGE

Y key exchange boxes should be used to allow a safe access to potential hazardous and dangerous areas with one or more access points.

 The Y key exchange box is not designed for security purposes, such as access to a building.


No hazardous substances were used in the manufacture of this product.

INSTALLATION

The Y key exchange box should normally be mounted using suitable fasteners. Please refer to the drawing on page 4 for maximum and minimum mounting distance. Y key exchange boxes are available in horizontal and vertical mounting versions.

 You must use M6 anti-temper stainless steel screws secured using threadlock set to a torque of 5 N/M.

 The Y key exchange box must be installed by a competent and qualified person who has read and understood these instructions. Please retain this document in your technical file.


 The manufacturer should be consulted when use in a corrosive environment is planned.

MAINTENANCE

Periodic visual checks should be carried out by the site manager/safety officer.

Do not lubricate lock barrel with oil or grease, use CK dry powder graphite if necessary.

 In case of defects being detected please contact your nearest Castell Support Department for further actions. Please see Contact section for contact details.

 The interlock must be inspected every 6 months. Safety checks should include ensuring the keys can only be removed in the correct safety operating conditions (see page 1).

TECHNICAL DATA

Temperature rating	Minimum: -40°C [-40°F] ice free for Q & FS lock type
	Maximum: 107°C [224.6°F] for Q lock type/140°C [284°F] for FS lock type or 288°C [550°F] upon request
Type of mounting	Surface mount using suitable fasteners
Weight	Brass: 1 kg for 2 lock portions, add 0.5 kg per additional portion
	Stainless steel: 1 kg for 2 lock portions, add 0.5 kg per additional portion
Material	Brass or stainless steel
B10d	2,500,000
Shock & vibration	EN 60068
PL rating	PLd

APPLICATION

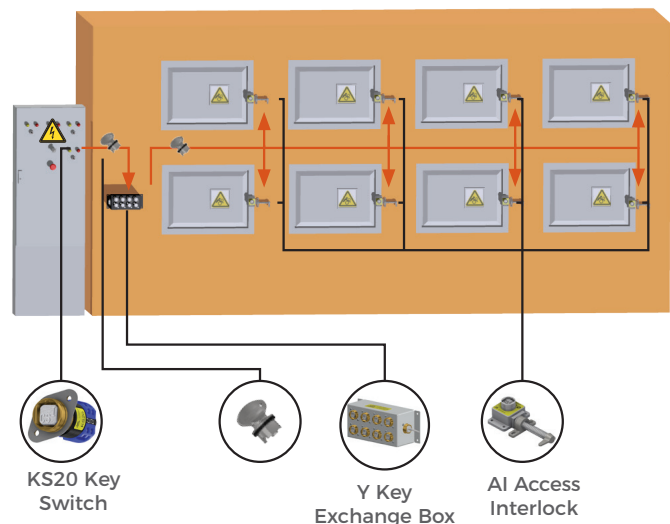
The Y Key Exchange Box safety component is used as part of an integrated safety system.

A typical application of the Y key exchange box is machine guarding with more than one access point to the hazardous area.

The key exchange box is used as a part of a safety system, which ensures a machine is shut down, before access to the hazardous area is allowed. The system involves a KS key switch for the electrical supply and typically more than one AI access interlock for part body access.

The removal of the isolation key from the key switch isolates the electrical supply to the machine. This key is taken to the Y key exchange box to release the trapped keys. The released keys are used to gain access through the AI door interlocks.

The machine cannot be restarted until all keys are returned to the Y key exchange box and the end key (power isolation key) is removed and taken to the KS key switch.



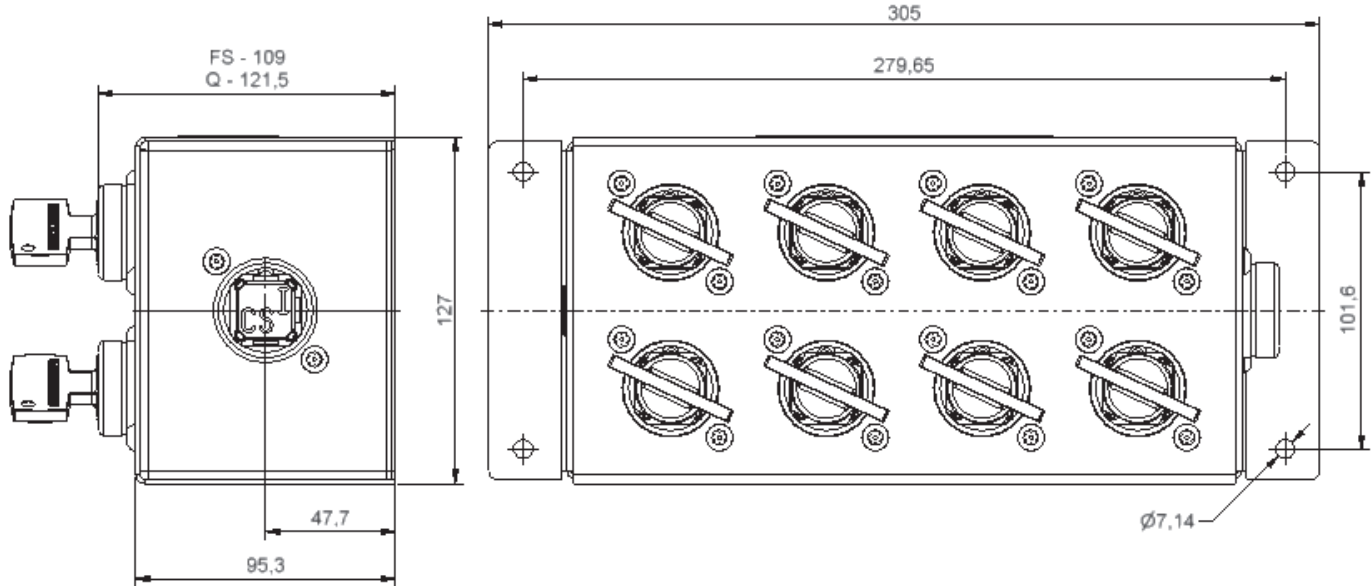
Y Key Exchange Box

DRAWING

Dimensions: in mm

Note: For safe mounting, use security screws



Y key exchange box, horizontal mount



ORDER INFORMATION


	Component type	1	2	3	4	5
Part number	Y					
Example	Y	FS	B	H	1	8
	6	A	End lock symbol	7	B	Front lock symbol(s)

1	Lock portion type	FS ⁽¹⁾ / Q ⁽¹⁾
2	Material	B = Brass S = Stainless steel
3	Mounting	H = Horizontal V = Vertical
4	Number of free keys	1 (standard)
5	Number of trapped keys	please specify
6	Lock portion symbol - End key	FS ⁽¹⁾ up to 3 characters / Q ⁽¹⁾ up to 6 characters
7	Lock portion symbol(s) - Front key(s), all to be advised separately	FS ⁽¹⁾ up to 3 characters / Q ⁽¹⁾ up to 6 characters

(1)	FS - Lock type Up to 3 characters	Q - Lock type Up to 6 characters
		

Special construction available upon enquiry

ACCESSORIES

	Product	Part number
	Flip Cap	FLIP-S

CONTACT INFORMATION

Castell Safety

The Castell Building, 217 Kingsbury Road, London, NW9 9PQ UK
t: +44 (0)20 8200 1200 | f: +44 (0)20 8205 0055 | e: sales@castell.com