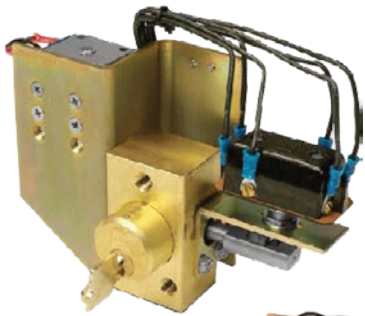


Type SKRU

Solenoid Key Release Unit



SD Series



HD Series

NOTE: The unhoused version of the SKRU is shown above in the SD and HD Series.

The Type SKRU consists of an interlock, a solenoid, and an auxiliary switch. The solenoid is designed to permit removal of the interlock key in response to an external electric signal. The auxiliary switch is a quick-make, quick-break device, which operates when the interlock key is rotated. Normally, the key is trapped in the SKRU and the solenoid is de-energized. To release the key, a signal must be sent to the solenoid from an external source. The SKRU is typically used in combination with other KIRK® key interlocks. The SKRU can be manufactured with various mechanical and electrical options. The push button and/or the LED signal lamp are the most popular options. All electrical components are UL recognized. The solenoid, optional signal lamp and optional push button are wired out to a terminal block along with some of the aux contacts. Please reference the wiring diagrams on our website for specific details. The main body of the SKRU is constructed of brass. The optional cover plate is stainless steel and the optional housing is fiberglass reinforced polyeste.

OPTIONS

Mounting Options – unhoused, cover plate only, or housed. The photo above shows all options of the SKRU. The housed SKRU is available front or back panel mounted. See drawing on page 6 of this data sheet, as well as the interlock ordering guide.

Key Removable – energized or de-energized. Please specify. Key removable energized is by far the most common.

Multi-Cylinder – up to 2 cylinders available. The two-cylinder SKRU can be keyed either of two ways, 1) both keys released together once the solenoid is energized or, 2) keyed so that one initiating key and the external signal to the solenoid are required to release a held key. See pages 7-9 for details on the unhoused and housed Double Cylinder SKRUs.

LED Signal Lamp – indicates that the external electric signal has been sent to the solenoid.

Push Button – connected in series with the solenoid - the push button must be pressed to allow the external electric signal to energize the solenoid.

Solenoid Voltage – 24VAC, 120VAC, 240VAC, 24VDC, 48VDC, 125VDC, or 250VDC.

Auxiliary Switch – double pole/double throw (DP/DT) is standard. The DP/DT switch is UL recognized and rated 10A 250VAC or VDC, or 15A 125VAC or VDC. Four pole/double throw (4P/DT) is available.

Stamp Key Interchange – specify an alphanumeric code to be stamped on the cylinder face and the key (e.g. A1, A2, B1, etc. - up to 5 characters). See SD Series Data Sheet for Keys (3.4) and Terminology (4.1) for details.

Protective Covers – see SD Series Data Sheet for Protective Covers (3.1) for details.

NOTES:

- 1) If both the signal lamp and push button are selected as options, the SKRU will be supplied with a combination signal lamp and push button as a single device.
- 2) If the Cover Plate Only mounting option is selected, the Unhoused SKRU will be mounted to a stainless steel cover plate. Reference the drawing on page 4 of this Data Sheet.
- 3) Two Cylinder SKRU information is shown on pages 7-9 of this data sheet.
- 4) Keys not included in the HD Series.

1 of 15

While every effort has been made to ensure the accuracy of the information provided, no liability can be taken for any errors or omission. Sentric Safety Group reserves the right to alter specifications and introduce improvements without prior notice.

U-Type SKRU-E-01 (01-26)

Type SKRU

Solenoid Key Release Unit



SOLENOID POWER RATINGS

AC	Solenoid Voltage	Coil Resistance	VA Rating	Nominal Current Ratings (AMPS)	Min. Pickup Voltage (assumes no load on plunger)	Max. Current Rating (AMPS)	In Rush Current
	120 VAC	163 OHMS	10	0.083A	102 VAC	0.098A	0.55A

DC	Solenoid Voltage	Coil Resistance	Nominal DC Power	Nominal Current Ratings (AMPS)	Min. Pickup Voltage (assumes no load on plunger)	Max. Current Rating (AMPS)
	24 VDC	50 OHMS	11.5 W	0.480A	19.2 VDC	0.533A
	125 VDC	1358 OHMS	11.5 W	0.092A	100 VDC	0.102A
	48 VDC	201.6 OHMS	11.5 W	0.238A	38.4 VDC	0.265A

Type SKRU

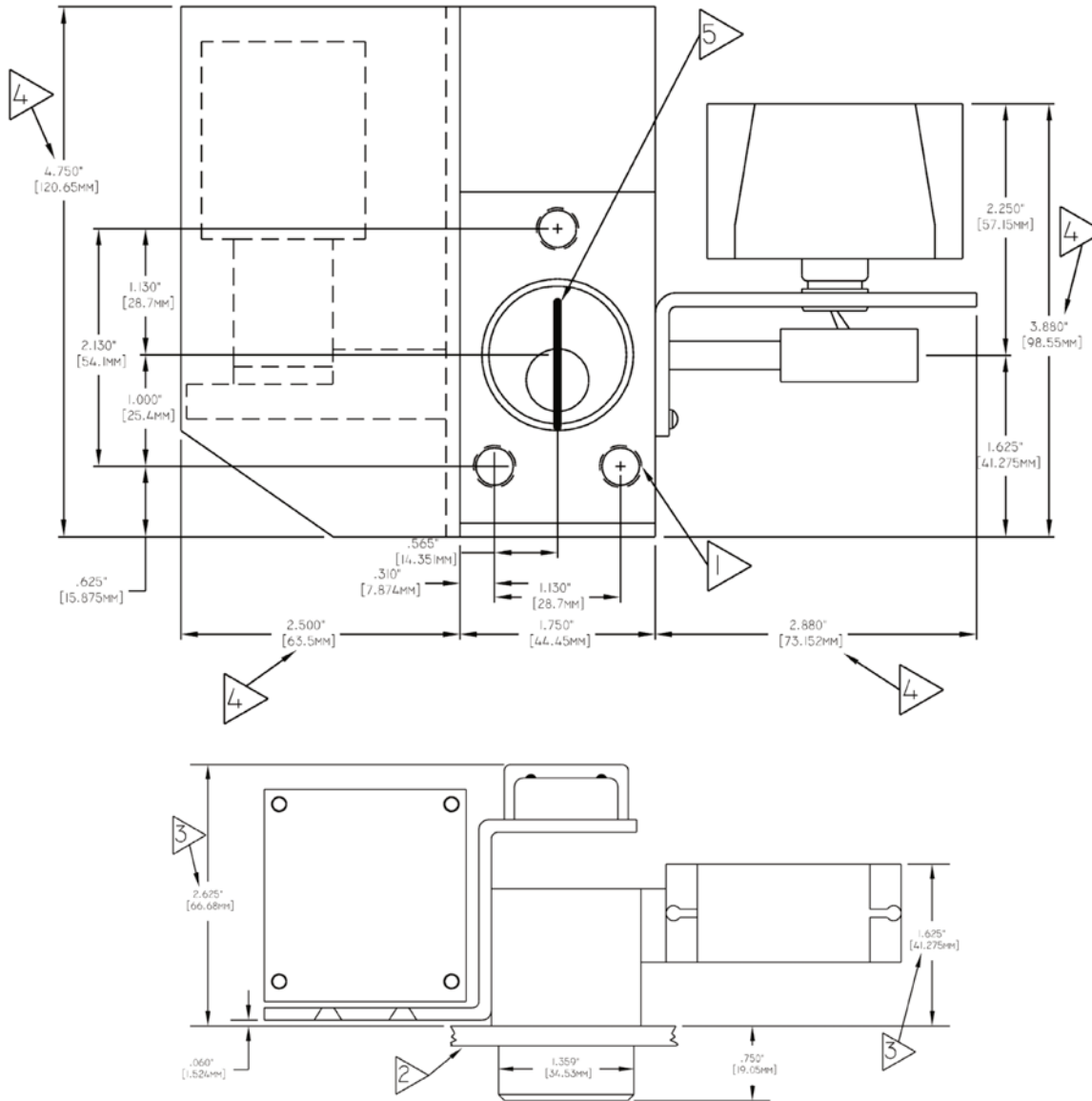
Solenoid Key Release Unit



DRAWING

Dimensions: in inches

SD Series Type SKRU - Single Cylinder, Unhoused



- NOTES:**
- 1) Three 3/8"-16 x 1" deep tapped holes for mounting (3 holes).
 - 2) Mounting panel or coverplate.
 - 3) Clearance dimension from back of panel.
 - 4) Clearance dimension.
 - 5) Operating key shown in held position.
 - 6) See cover plate drawing on page 4 of this Data Sheet for lock cylinder and mounting hole dimensions for unhoused Single Cylinder SKRU.

3 of 15

While every effort has been made to ensure the accuracy of the information provided, no liability can be taken for any errors or omission. Sentric Safety Group reserves the right to alter specifications and introduce improvements without prior notice.

U-Type SKRU-E-01 (01-26)

Type SKRU

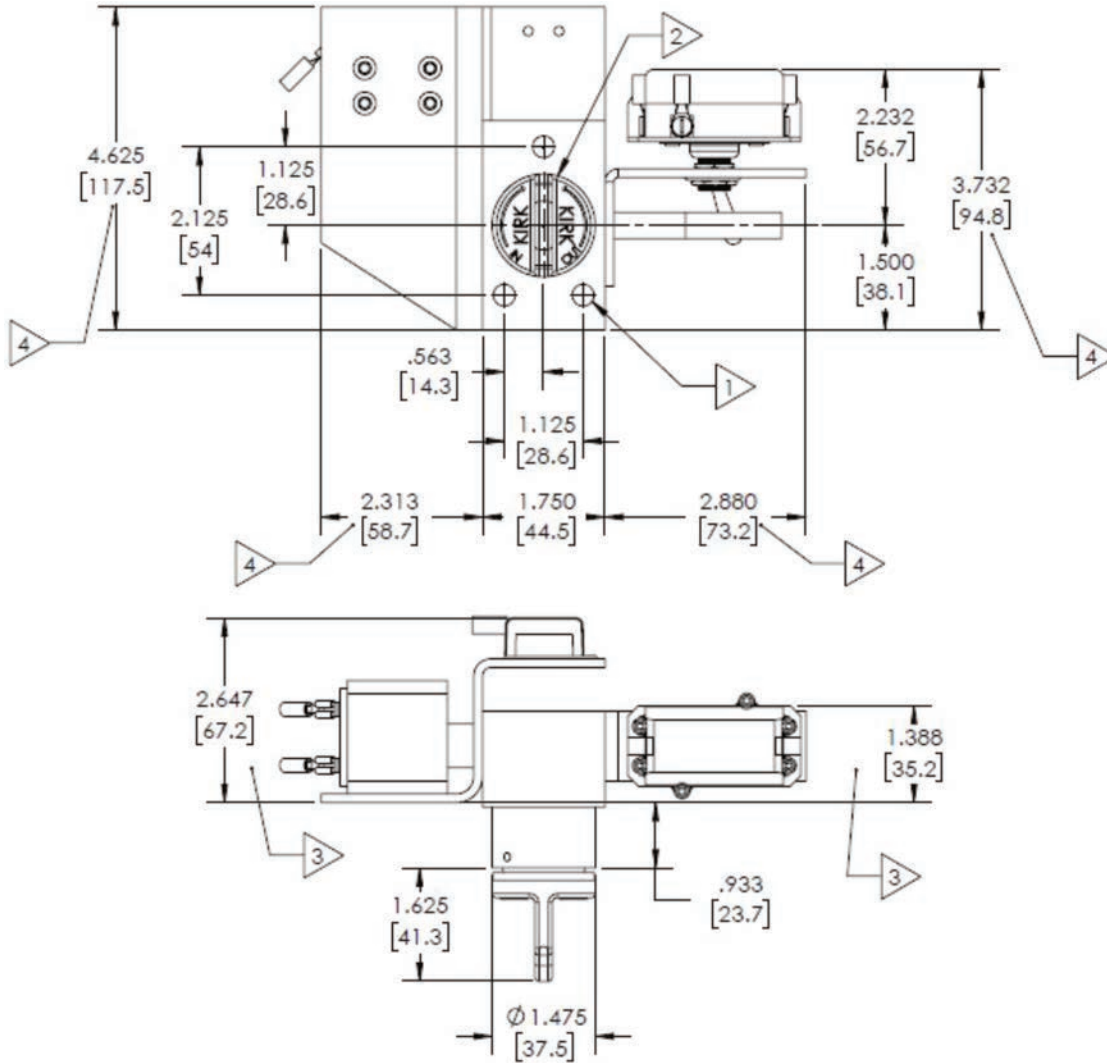
Solenoid Key Release Unit



DRAWING

Dimensions: in inches

HD Series Type SKRU - Single Cylinder, Unhoused



NOTES:

- 1) Three 3/8"-16 1" deep tapped holes for mounting.
- 2) Operating key shown in held position.
- 3) Clearance dimension from back of panel.
- 4) Clearance dimensions.

4 of 15

While every effort has been made to ensure the accuracy of the information provided, no liability can be taken for any errors or omission. Sentric Safety Group reserves the right to alter specifications and introduce improvements without prior notice.

U-Type SKRU-E-01 (01-26)

Type SKRU

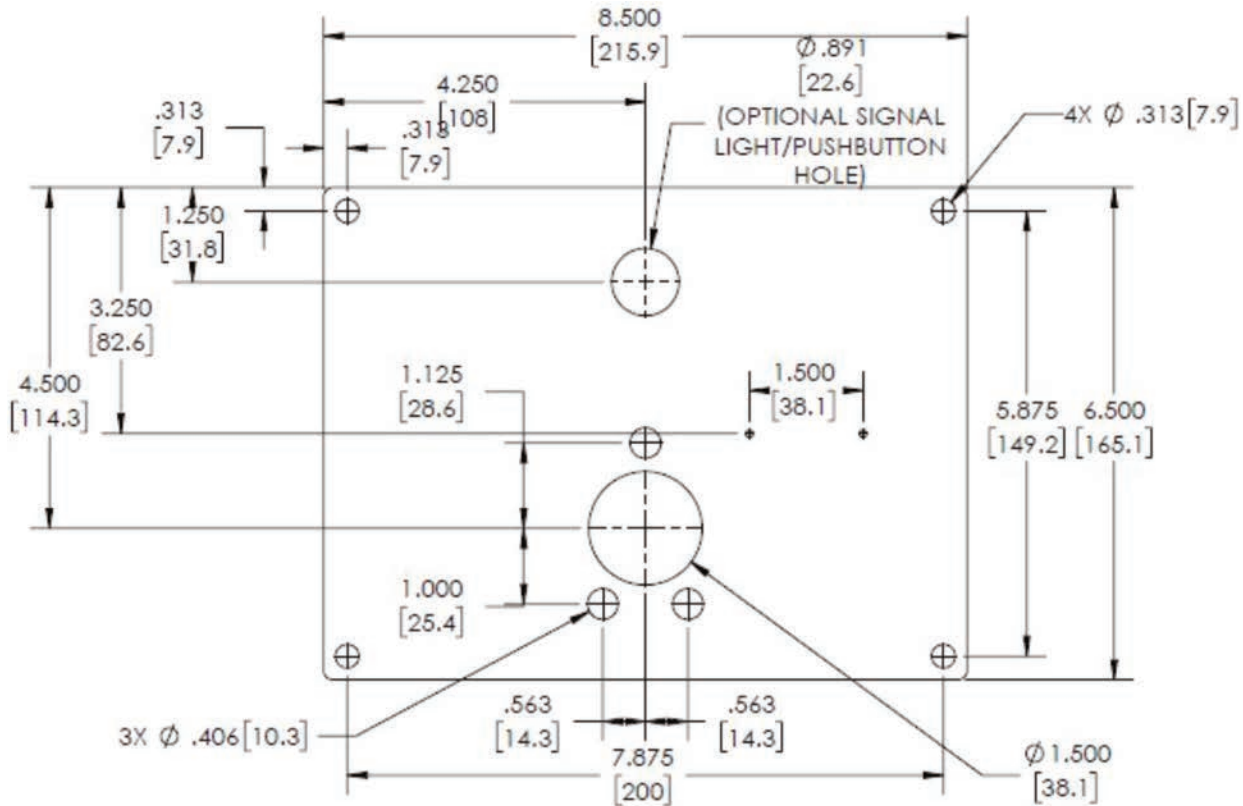
Solenoid Key Release Unit



DRAWING

Dimensions: in inches

SD Series Type SKRU - Single Cylinder, Cover Plate



NOTE:
SUGGESTED ALLOWING 8-1/2"X6-1/2" SPACE FOR SKRU. SEE DWG #300-900C FOR EXACT DIMENSIONS OF UNHOUSED SKRU.

NOTE:
This drawing provides the lock cylinder and mounting hole dimensions pertaining to unhooused SKRUs. It also provides overall dimensions and mounting hole locations for the cover plate if SKRU is purchased with cover plate only.

Type SKRU

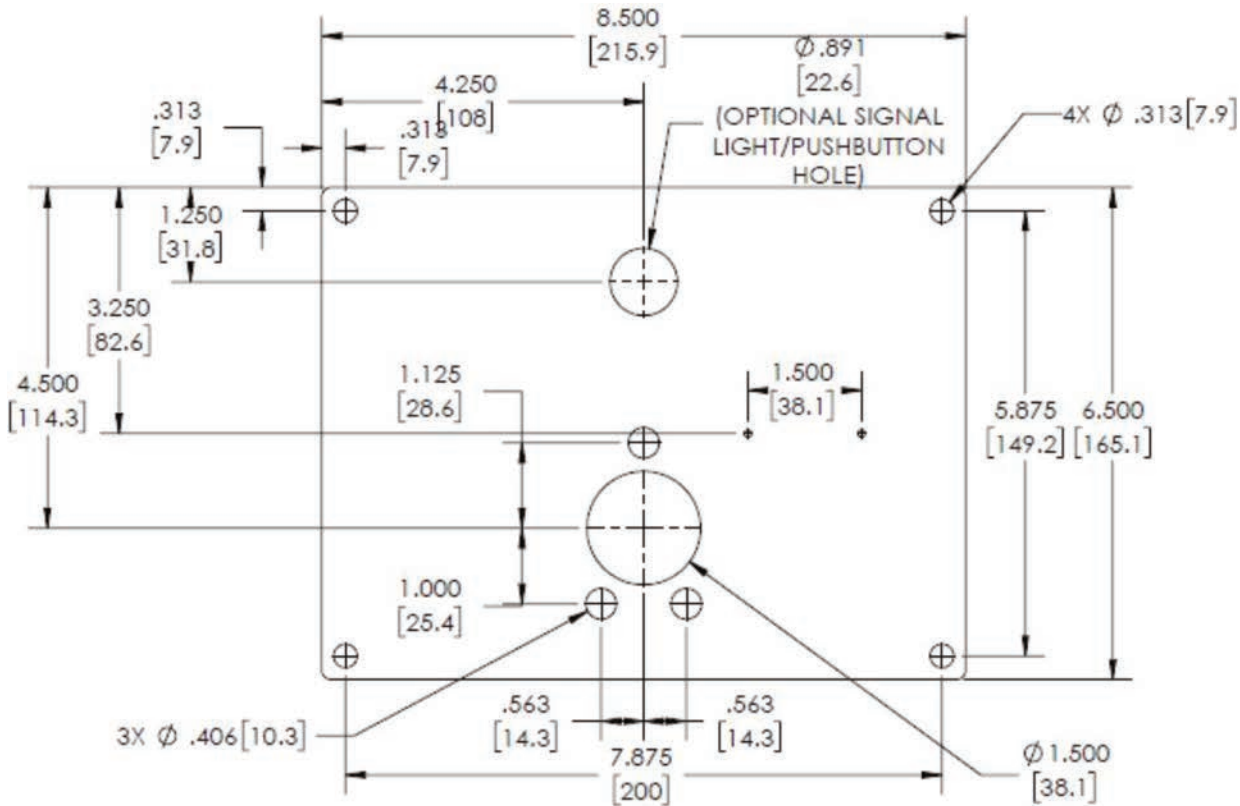
Solenoid Key Release Unit



DRAWING

Dimensions: in inches

HD Series Type SKRU - Single Cylinder, Cover Plate



NOTE:
SUGGESTED ALLOWING 8-1/2"X6-1/2" SPACE FOR SKRU. SEE DWG #300-900C FOR EXACT DIMENSIONS OF UNHOUSED SKRU.

NOTE:
This drawing provides the lock cylinder and mounting hole dimensions pertaining to unhooused SKRUs. It also provides overall dimensions and mounting hole locations for the cover plate if SKRU is purchased with cover plate only.

Type SKRU

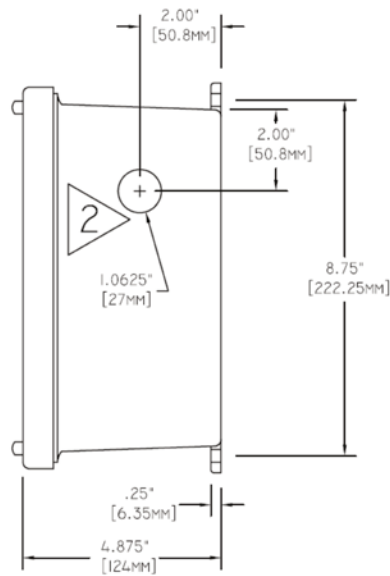
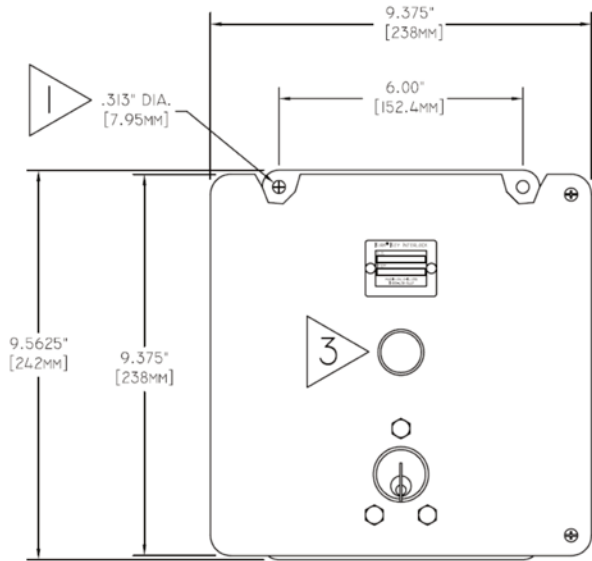
Solenoid Key Release Unit



DRAWING

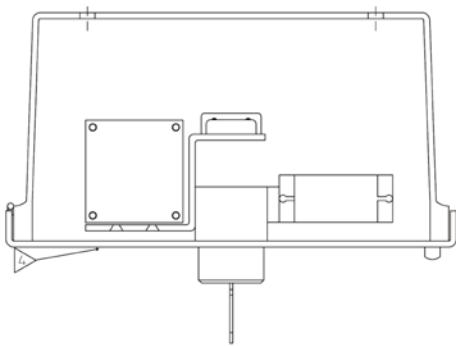
Dimensions: in inches

SD Series Type SKRU - Single Cylinder, Housed



NOTES:

- 1) Four .313" dia. (7.94mm) holes for 1/4" mounting bolts (located on enclosure mounting tabs).
- 2) 1.0625" dia. conduit opening on side.
- 3) Location of signal light or push button (optional accessory).



NOTES:

- 4) The drawing shows a front panel mounted unit.

7 of 15

While every effort has been made to ensure the accuracy of the information provided, no liability can be taken for any errors or omission. Sentric Safety Group reserves the right to alter specifications and introduce improvements without prior notice.

U-Type SKRU-E-01 (01-26)

Type SKRU

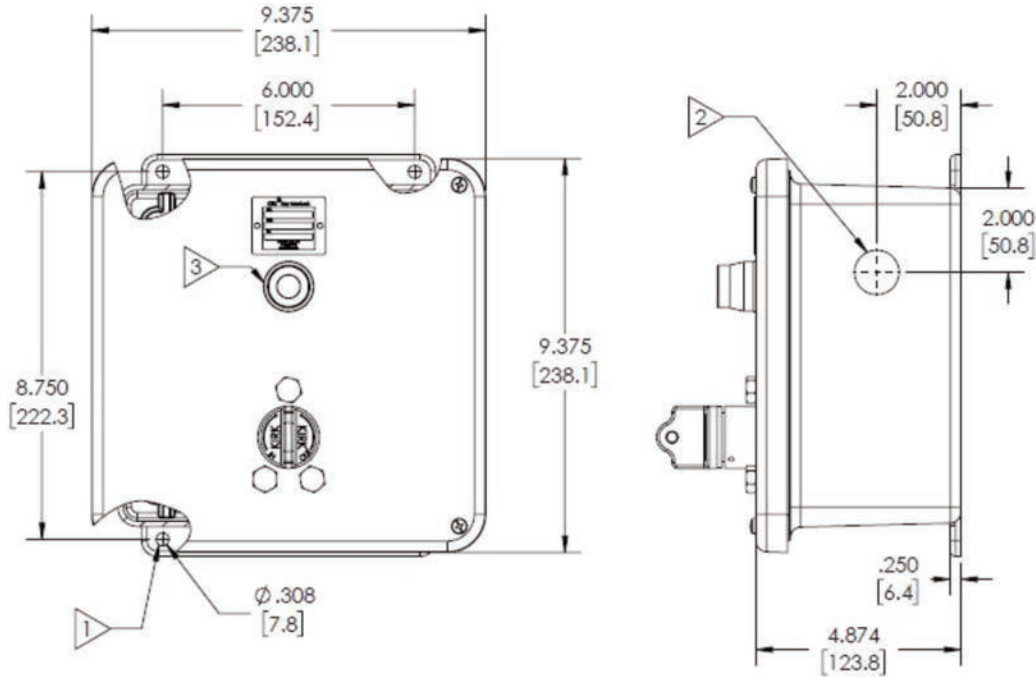
Solenoid Key Release Unit



DRAWING

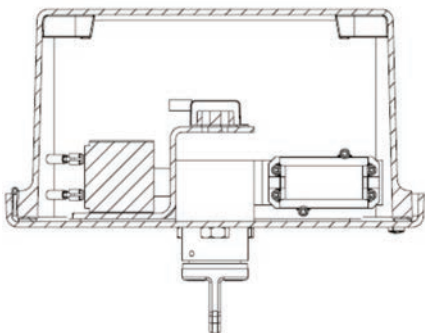
Dimensions: in inches

HD Series Type SKRU - Single Cylinder, Housed



NOTES:

- 1) 4x .313in[7.94mm] diameter holes for 1/4" mounting bolts(located on the enclosure mounting tabs).
- 2) 1.0625 diameter conduit opening on side.
- 3) Location of signal light or push button(optional accessory).



NOTES:

- 4) The drawing shows a front panel mounted unit.

8 of 15

While every effort has been made to ensure the accuracy of the information provided, no liability can be taken for any errors or omission. Sentric Safety Group reserves the right to alter specifications and introduce improvements without prior notice.

U-Type SKRU-E-01 (01-26)

Type SKRU

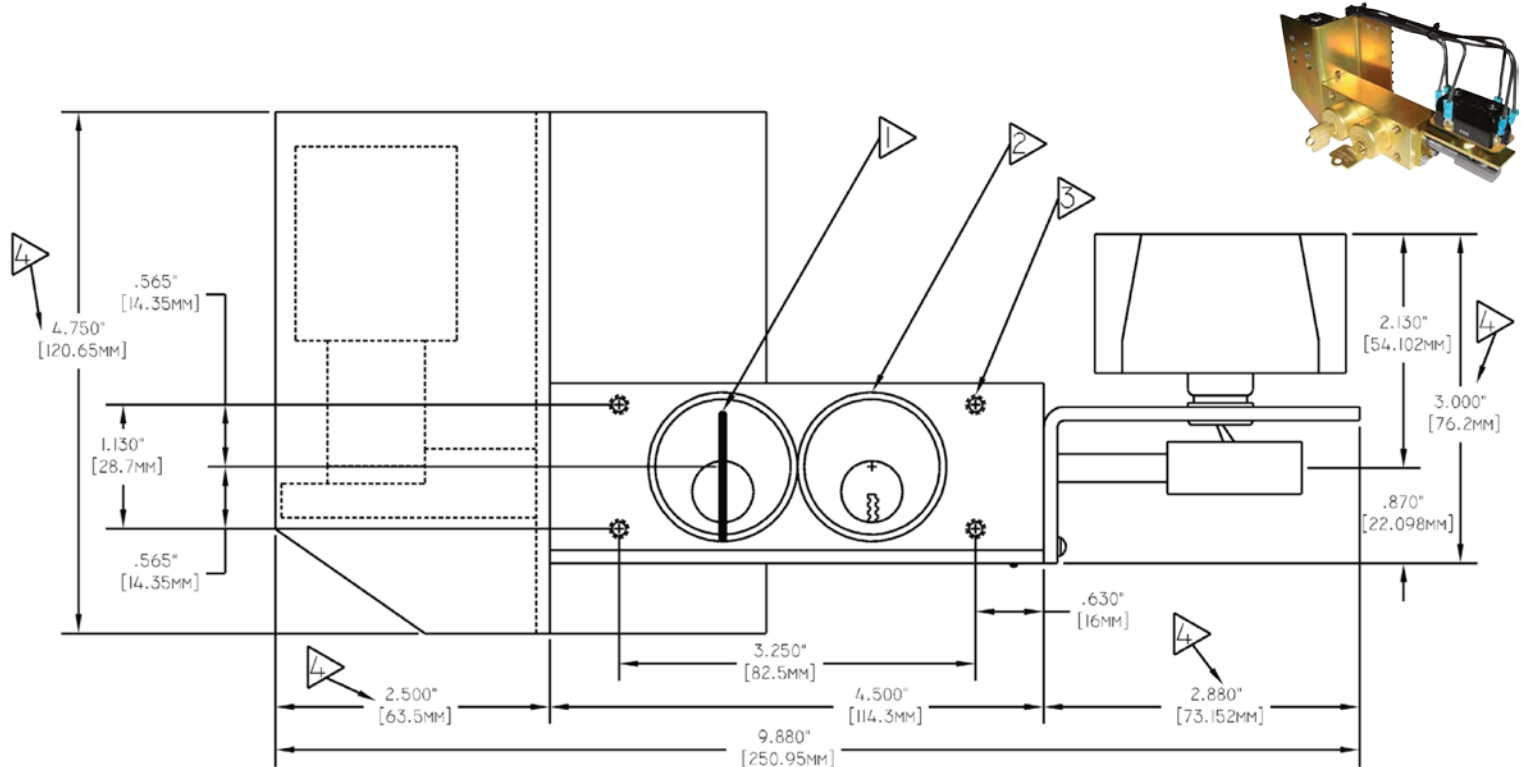
Solenoid Key Release Unit



DRAWING

Dimensions: in inches

SD Series Type SKRU - Double Cylinder, Unhoused



NOTES:

- 1) Operating key shown in held position.
- 2) Initiating key if "DE", second operating key if "EE". See SD Series Ordering Guide.
- 3) 3/8"-16 x 1" deep tapped holes for mounting (4 holes).
- 4) Clearance dimension.
- 5) See cover plate drawing on page 8 for lock cylinder and mounting hole dimensions for unhoused Double Cylinder SKRU.

Type SKRU

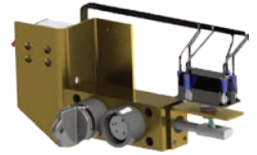
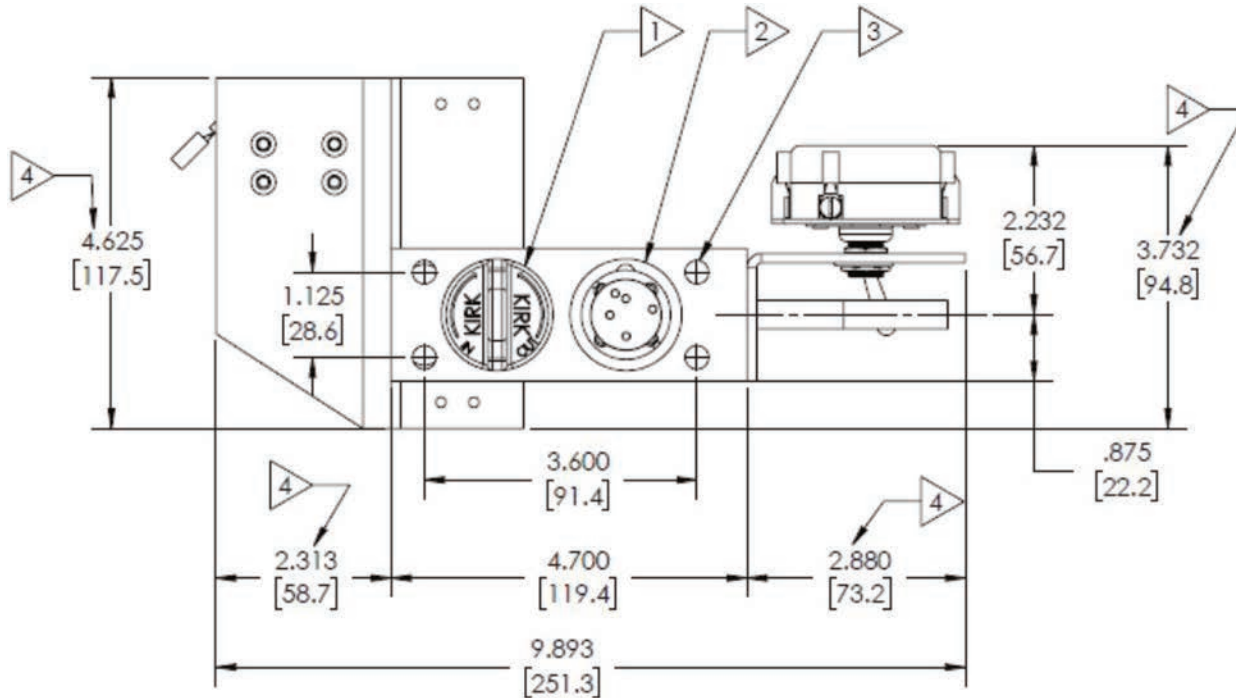
Solenoid Key Release Unit



DRAWING

Dimensions: in inches

HD Series Type SKRU - Double Cylinder, Unhoused



NOTES:

- 1) Operating key shown in held position.
- 2) Initiating key if "DE", second operating key is "EE". See HD Series Ordering Guide.
- 3) 3/8"-16 x 1" deep tapped holes for mounting (4 holes).
- 4) Clearance dimensions.

10 of 15

While every effort has been made to ensure the accuracy of the information provided, no liability can be taken for any errors or omission. Sentric Safety Group reserves the right to alter specifications and introduce improvements without prior notice.

U-Type SKRU-E-01 (01-26)

Type SKRU

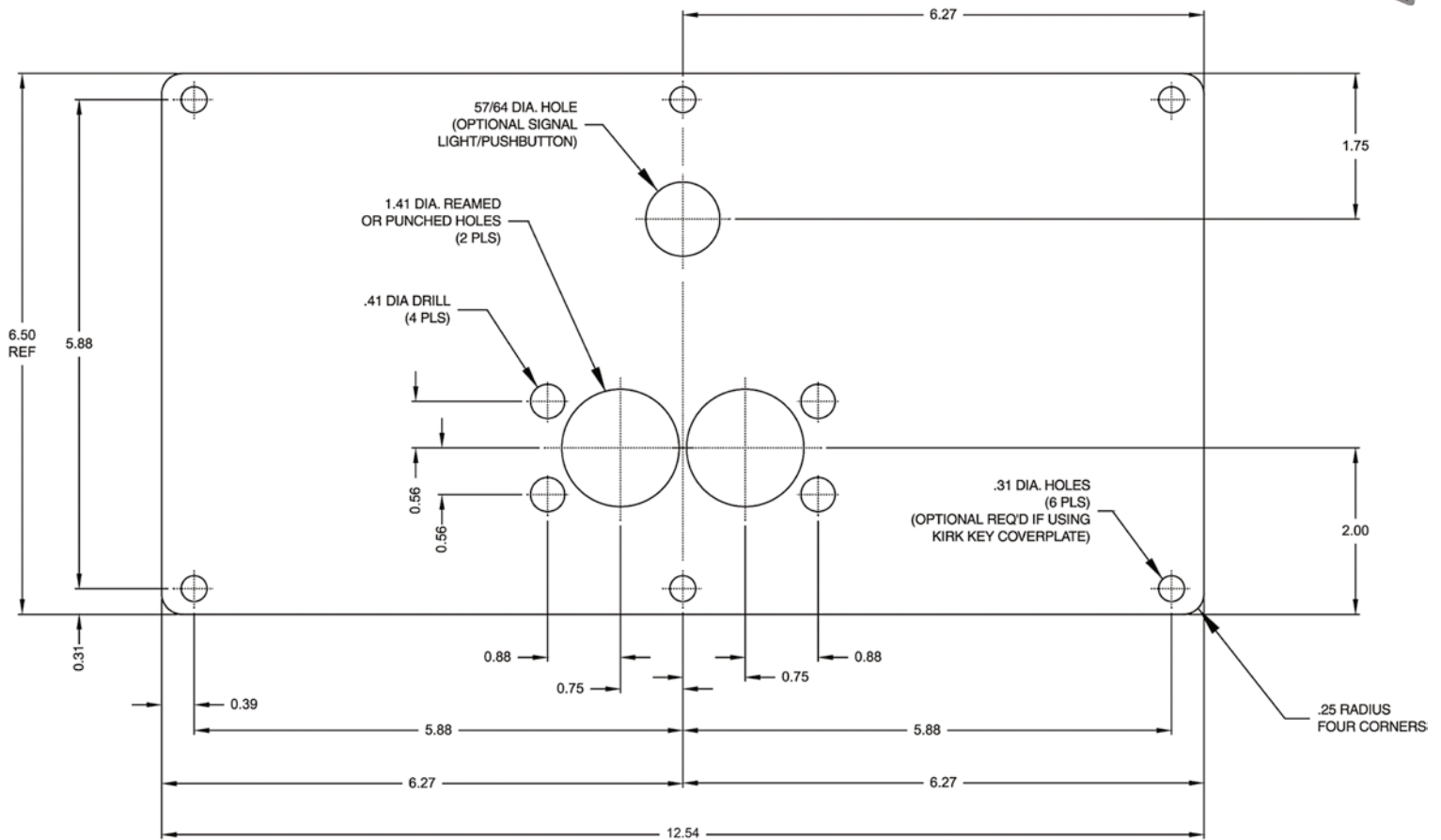
Solenoid Key Release Unit



DRAWING

Dimensions: in inches

SD Series Type SKRU - Double Cylinder, Cover Plate



NOTES:
 This drawing provides the lock cylinder and mounting hole dimensions pertaining to unhused Double Cylinder SKRUs. It also provides overall dimensions and mounting hole locations for the cover plate if SKRU is purchased with cover plate only.

11 of 15

While every effort has been made to ensure the accuracy of the information provided, no liability can be taken for any errors or omission. Sentric Safety Group reserves the right to alter specifications and introduce improvements without prior notice.

U-Type SKRU-E-01 (01-26)

Type SKRU

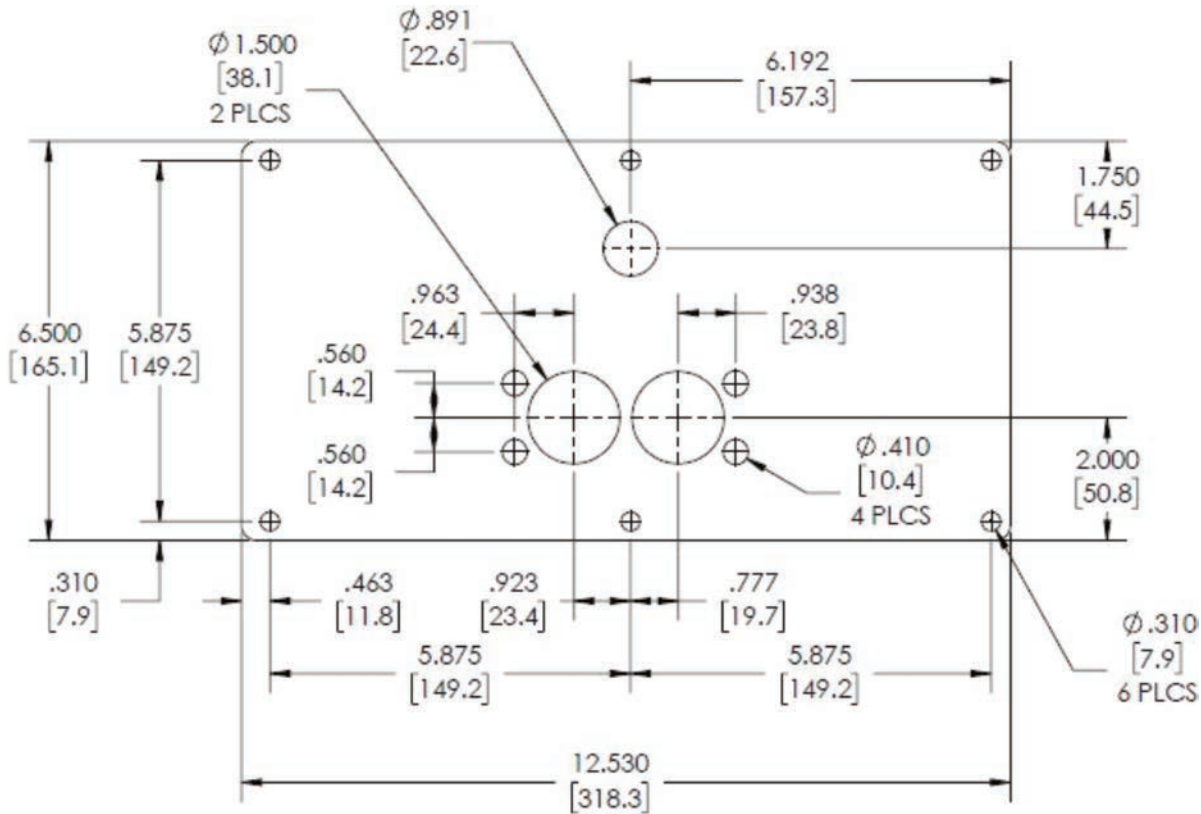
Solenoid Key Release Unit



DRAWING

Dimensions: in inches

HD Series Type SKRU - Double Cylinder, Cover Plate



NOTES:

This drawing provides the lock cylinder and mounting hole dimensions pertaining to unboxed Double Cylinder SKRU's. It also provides overall dimensions and mounting hole locations for the cover plate if SKRU is purchased with cover plate only.

12 of 15

While every effort has been made to ensure the accuracy of the information provided, no liability can be taken for any errors or omission. Sentric Safety Group reserves the right to alter specifications and introduce improvements without prior notice.

U-Type SKRU-E-01 (01-26)

Type SKRU

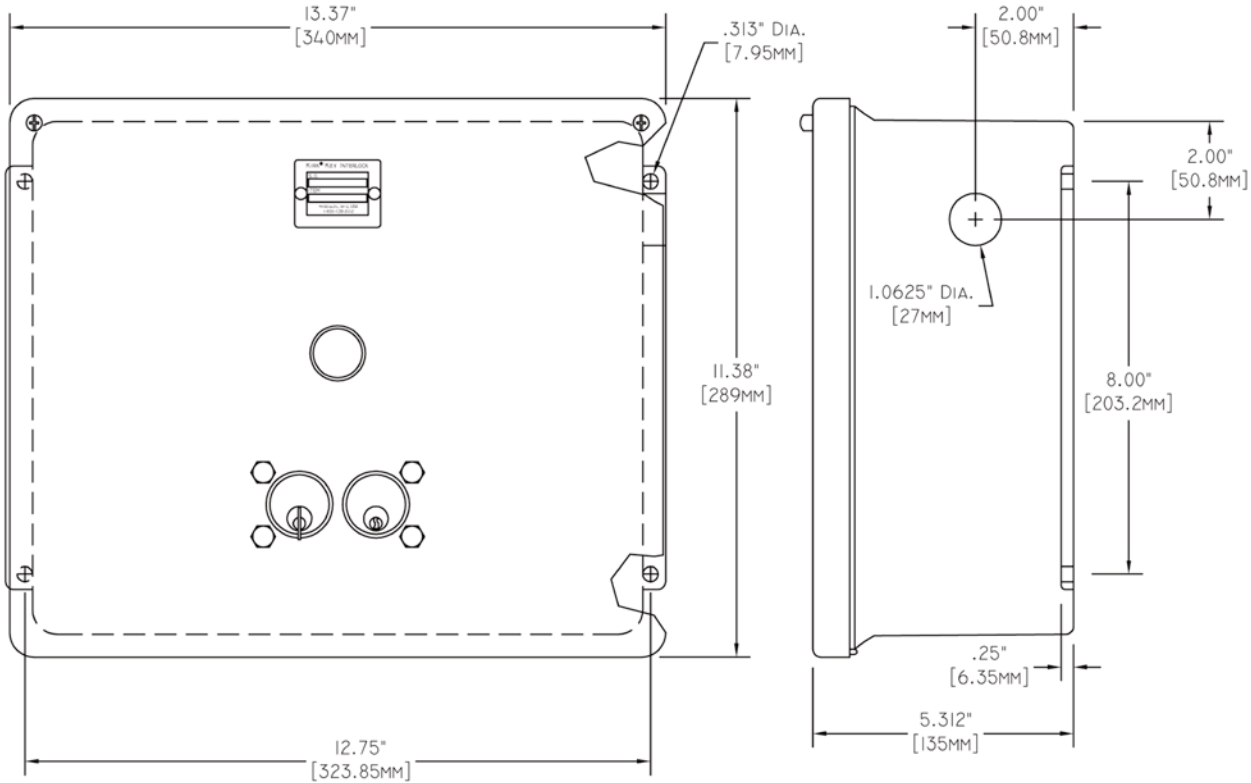
Solenoid Key Release Unit



DRAWING

Dimensions: in inches

SD Series Type SKRU - Double Cylinder, Housed



13 of 15

While every effort has been made to ensure the accuracy of the information provided, no liability can be taken for any errors or omission. Sentric Safety Group reserves the right to alter specifications and introduce improvements without prior notice.

U-Type SKRU-E-01 (01-26)

Type SKRU

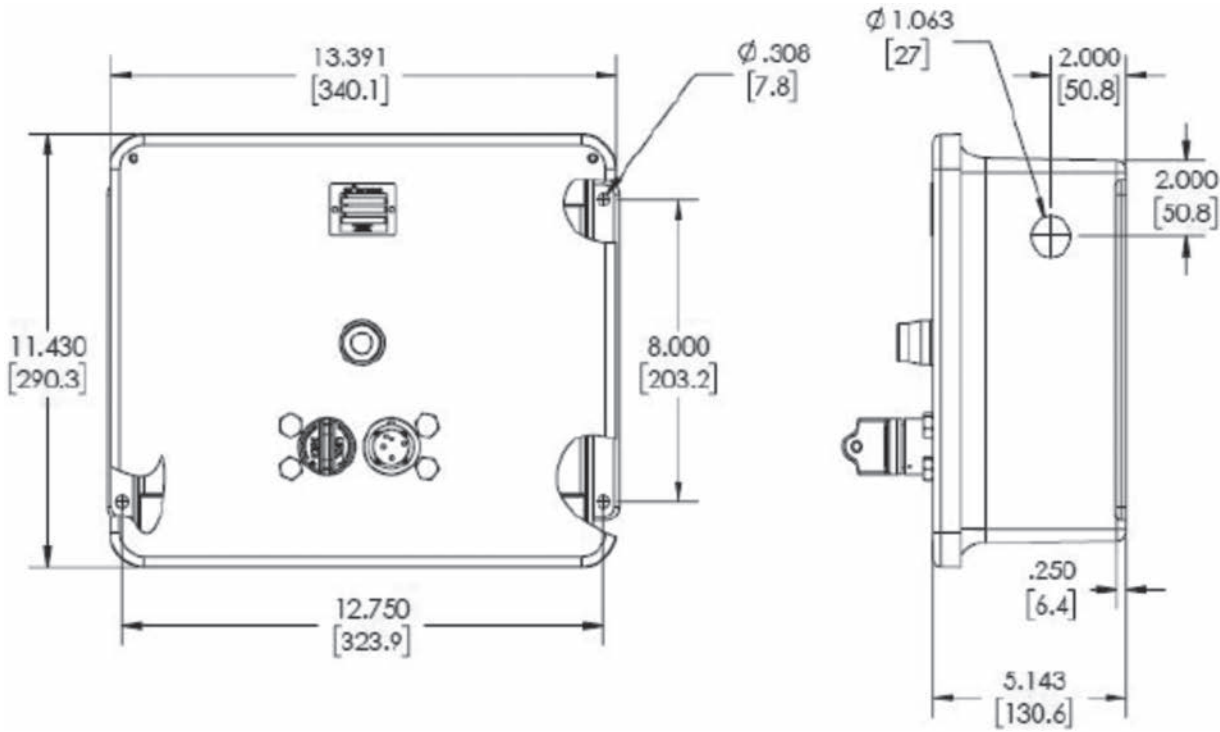
Solenoid Key Release Unit



DRAWING

Dimensions: in inches

HD Series Type SKRU - Double Cylinder, Housed



14 of 15

While every effort has been made to ensure the accuracy of the information provided, no liability can be taken for any errors or omission. Sentric Safety Group reserves the right to alter specifications and introduce improvements without prior notice.

U-Type SKRU-E-01 (01-26)

Type SKRU

Solenoid Key Release Unit



ORDER INFORMATION

	1	2	3	4	5	6	7	8	9	10	11	12	13	14
Part number		S	K	R	U							S		

1	Series	K = SD Series			S = HD Series	
6	Style	1 = Unhoused 2 = Housed Front Mount 4 = Cover Plate				
7	Solenoid Voltage	1 = 120VAC 2 = 24VDC 3 = 125VDC 4 = 48VDC 5 = 250VDC 6 = 240VAC 7 = 24VAC				
8,9	Key Removable	Solenoid Normal State	8	9	Number of Cylinders	
	Energized	De-Energized	E	-	1 CYL	
	De-Energized	Energized	D	-	1 CYL	
	Both Energized	De-Energized	E	E	2 CYL	
	Both De-Energized	Energized	D	D	2 CYL	
	Primary De-Energized Secondary Energized	De-Energized	D	E	2 CYL	
Primary Energized Secondary De-Energized	Energized	E	D	2 CYL		
10	LED Signal Light	- = No 1 = Yes				
11	Push Button	- = No 1 = Yes				
12	Stamp Key Interchange max. 5 alphanumeric characters	S = Yes			HD Series Stamp key interchange on Key only, unless flip cover is selected	
13	Mounting Bolts see mounting bolt data sheet	- = No T = Tamperproof				
14	Protective Covers see protective covers data sheet	- = No C = Push On F = Flip Open			- = No F = Flip Open with LOTO provision	

Kirk Key Interlock Company LLC
 9048 Meridian Circle, NW, North Canton, OH 44720, USA
 Tel: +1 234.209.9301 Email: sales@kirkkey.com

15 of 15

While every effort has been made to ensure the accuracy of the information provided, no liability can be taken for any errors or omission. Sentric Safety Group reserves the right to alter specifications and introduce improvements without prior notice.

U-Type SKRU-E-01 (01-26)