

# AST/HST

## Key Exchange Box



SERV TRAYVOU  
INTERVERROUILLAGE



The key exchange box is designed to allow the release of secondary keys by trapping one or more initial keys.

The need for this type of product usually arises where there is multiple access to a hazardous area.

The key exchange box will be the link between the isolation locks and the access locks to the hazardous area.




Trapped Key  
Interlocks



ENERGY

## USAGE

The key exchange box is used as part of a safe guarding system.

 This lock is not designed to secure access to a safe, external access to a building, for doors or access gates.

## INSTALLATION

 A safety lock must be fitted with appropriate fixings (not supplied with the lock).

### Important:

To prevent unauthorised removal, the lock must be fitted with a stainless steel rivet or stainless steel security screws and secured with a threadlocker.

Tightening torque: 5Nm

The lock must be installed by a competent and qualified person.

## MAINTENANCE

No maintenance of the product is recommended. However, to improve its operation and possibly increase its life span, adding "Xenium micronised graphite powder" to the lock is accepted.

Any other product is prohibited.

1 of 6

While every effort has been made to ensure the accuracy of the information provided, no liability can be taken for any errors or omission. Sentric Safety Group reserves the right to alter specifications and introduce improvements without prior notice.

U-AST/HST Key Exchange Box-E-02 (03-26)

### TECHNICAL DATA

<b>Weight</b>	Starting at 271 gr for 2 entrées
<b>Material</b>	- Cylinder - Rotor 5000 : 6064-T9 aluminium / Rotor 6000 : Grivory GVX-65h composite Stator : 6064-T9 aluminium - Case - AISI 304L stainless steel - Cam - PA6-6 nylon
<b>Product finishing</b>	Anodised black (cylinder)
<b>Temperature rating</b>	-35°C / +120°C for the lock -35°C / +85°C for the switch
<b>Salt spray tolerance</b>	240h
<b>Watertightness</b>	IPXX
<b>IK rating</b>	IK08
<b>Vibrations</b>	0.7mm @10-55HZ 1 oct/min in 3 axes
<b>Retentive strength</b>	250N-key
<b>Lifespan</b>	1000000 cycles*
<b>B10d</b>	200000 cycles*
<b>DC</b>	90%
<b>Compliance</b>	- CE Marking Directive 2001/95/EC - Machinery Directive 2006/42/EC - Low Voltage Directive 2014/35/EU (with a switch)
<b>ROHS</b>	Certificate available on our website, Resource Centre section
<b>REACH</b>	Certificate available on our website, Resource Centre section
<b>Conflict Minerals Declaration</b>	Certificate available on our website, Resource Centre section

\*Aluminium rotor version

### OPTIONS

- Flat key (RONIS type) or star key (PROFALUX type)
- Electrical switch 1NO-1NC, double break switch. Contact us to configure more switches.
- Rotor type (aluminium or composite)

### APPLICATION

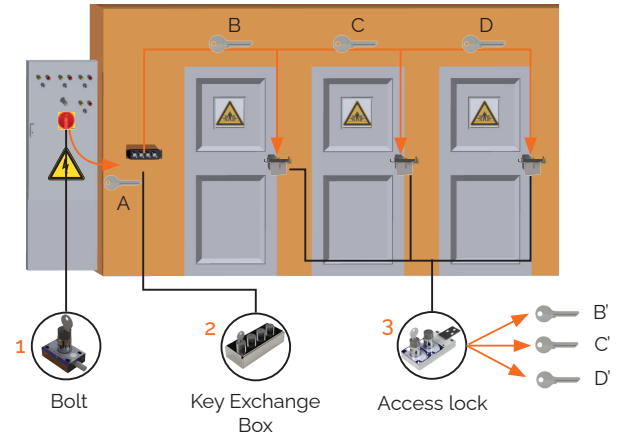
The system includes a lock on the machine's power supply control device, an exchange box, and 3 access locks for entering the hazardous area. Under normal operation (voltage emission), the power key A is trapped in the electromechanical lock and the access door to the hazardous area is closed and locked.

To access the hazardous area:

1. The operator cuts the power to the machine allowing the release of the power key A.
2. The power key A is then trapped in the key exchange box, releasing the access keys B, C and D.
3. Access keys B, C and D can then be trapped in the access locks, each releasing a personal key and a strike plate allowing access to the area.

The personal keys B', C' and D' are kept by the operator during operation to protect against accidental locking and starting.

4. To put the machine back into service, the operator follows the same steps in reverse order.



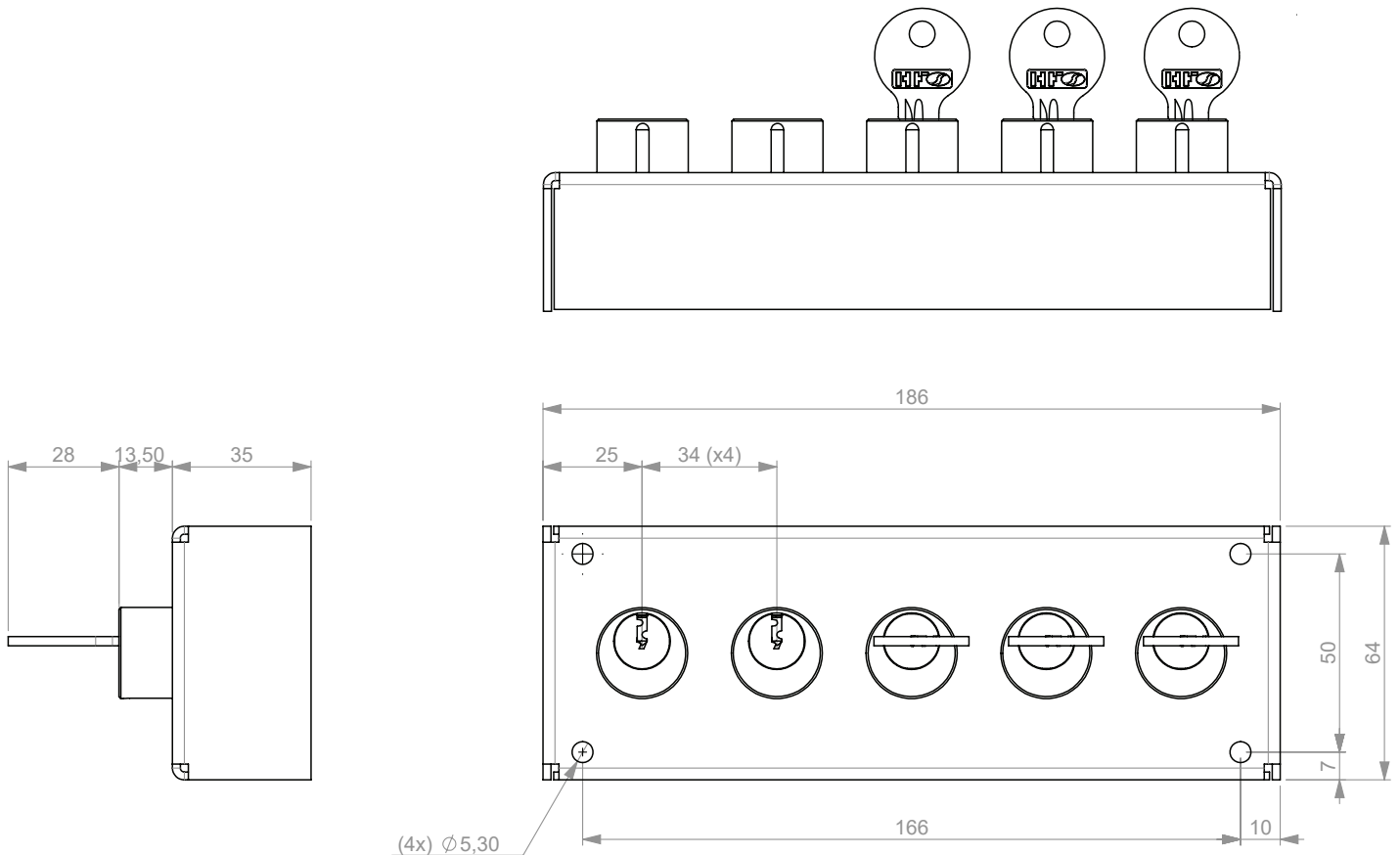
### DRAWING

Dimensions: in mm

Available as a flat key (RONIS) or star key (PROFALUX)

**Note:** For safe mounting, use security screws.

### Flat key exchange box (5 entries version)



#### Référence Produit avec clé type: (product reference following key type:)

- Plate = **AST5xx5000**  
(flat)

5 = Rotor Aluminium  
6 = Rotor Composite

A = Clé plate  
H = Clé étoile

xx = Profile EL, EK, EP, EM, ET, EV  
GL, GK, GP, GM, GT, GV

# AST/HST

## Key Exchange Box



SERV TRAYVOU  
INTERVERROUILLAGE

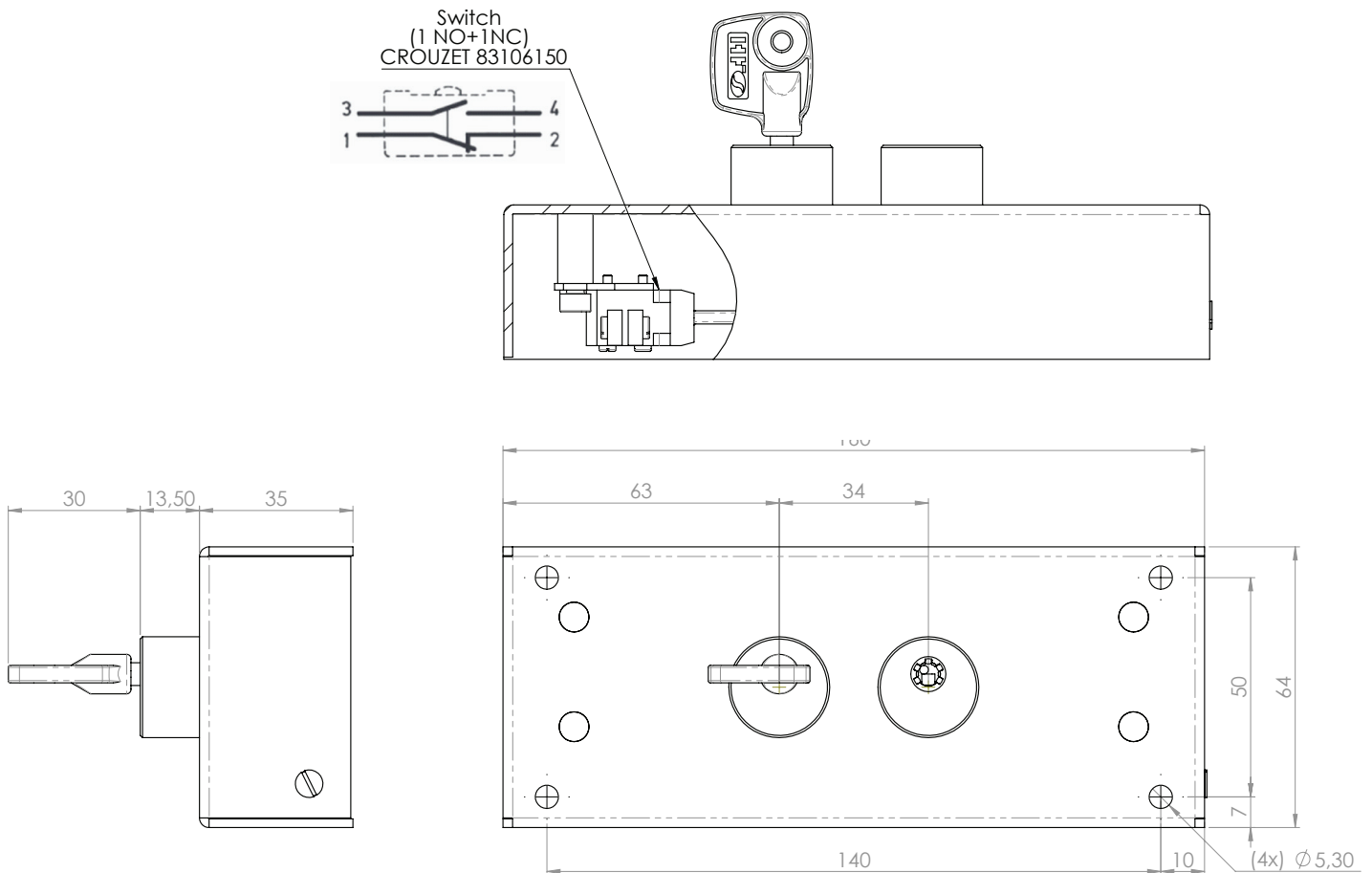
### DRAWING

Dimensions: in mm

Available as a flat key (RONIS) or star key (PROFALUX)

**Note:** For safe mounting, use security screws.

### Star key exchange box with a switch (2 entries version)



**Note:** Tous les cylindres sont en rotation 1/4 tour Droite

(All cylinders are on 1/4 Right rotation)

5 of 6

While every effort has been made to ensure the accuracy of the information provided, no liability can be taken for any errors or omission. Sentric Safety Group reserves the right to alter specifications and introduce improvements without prior notice.

U-AST/HST Key Exchange Box-E-02 (03-26)

# AST/HST

## Key Exchange Box



SERV TRAYVOU  
INTERVERROUILLAGE

### ORDER INFORMATION

	Cylinder profile	Product type	N° of cylinder	Key profile	Rotor type	Particularity
Reference						
Example	A	ST	3	EL	5	000

<b>Cylinder profile</b>	A = Flat key H = Star key
<b>Product type</b>	ST = Standard Exchange Box SC = Exchange Box with Switch
<b>N° of cylinder</b>	Min. 2
<b>Key profile</b>	Star key = PS 5-piston flat key = EK, EL, EM, EP, ET, EV 6-piston flat key = GK, GL, GM, GP, GT, GV
<b>Rotor type</b>	5 = Aluminium 6 = Composite
<b>Particularity</b>	000 = Standard xxx = Customised

Position To be specified by the customer at the time of ordering									
A		B		C		D			
STAR KEY	FLAT KEY	STAR KEY	FLAT KEY	STAR KEY	FLAT KEY	STAR KEY	FLAT KEY		
<b>Single Line:</b> 12 characters max. <b>Double Line:</b> <b>First line</b> 7 characters max. <b>Second line</b> 5 characters max.		<b>Single Line:</b> 4 characters max. <b>Double Line:</b> <b>First line</b> 4 characters max. <b>Second line</b> 4 characters max.		<b>Single Line:</b> 12 characters max. <b>Double Line:</b> <b>First line</b> 7 characters max. <b>Second line</b> 5 characters max.		<b>Single Line:</b> 12 characters max. <b>Double Line:</b> <b>First line</b> 5 characters max. <b>Second line</b> 7 characters max.		<b>Single Line:</b> 4 characters max. <b>Double Line:</b> <b>First line</b> 4 characters max. <b>Second line</b> 4 characters max.	

### ACCESSORIES

- Flip cap (ref. D23556)

Serv Trayvou (STI)  
1ter Rue du Marais – Bât. B 93106 Montreuil Cedex, France  
Tel: +33 1 4818 1515 Email: sales@servtrayvou.com

6 of 6

While every effort has been made to ensure the accuracy of the information provided, no liability can be taken for any errors or omission. Sentric Safety Group reserves the right to alter specifications and introduce improvements without prior notice.

U-AST/HST Key Exchange Box-E-02 (03-26)